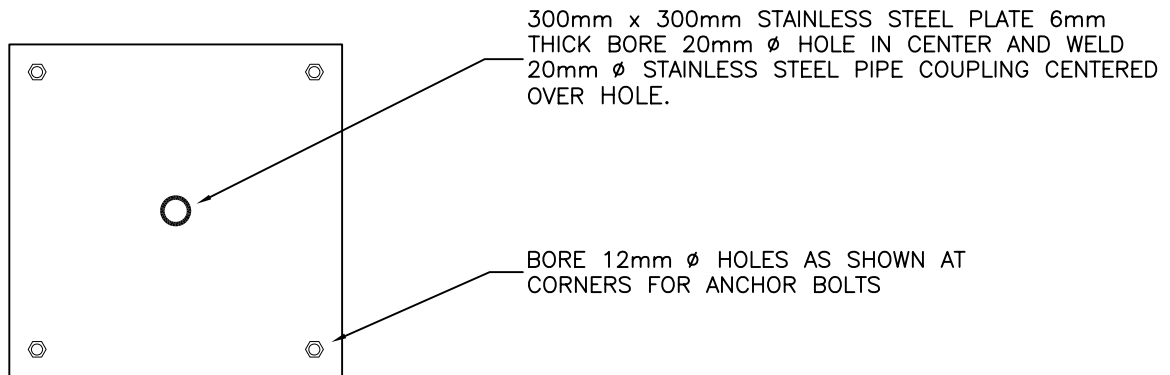
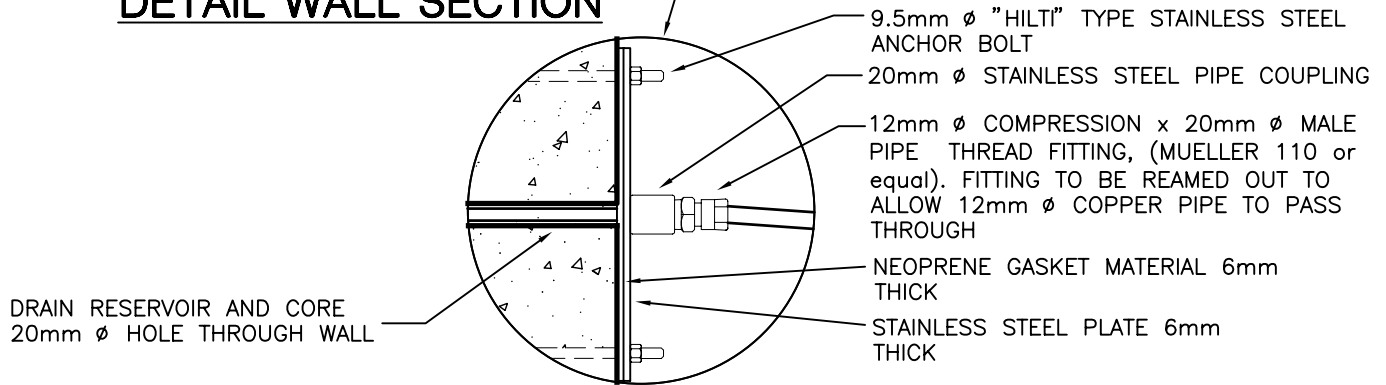


**DETAIL WALL SECTION**



**PLATE**



**WATER SAMPLING PORT  
-TYPICAL DETAIL FOR  
CONCRETE RESERVOIR**

revision date: APRIL 2007	scale: N.T.S.
drawn: G.P.	checked: B.K.
standard drawing no.:	
<b>4.9</b>	