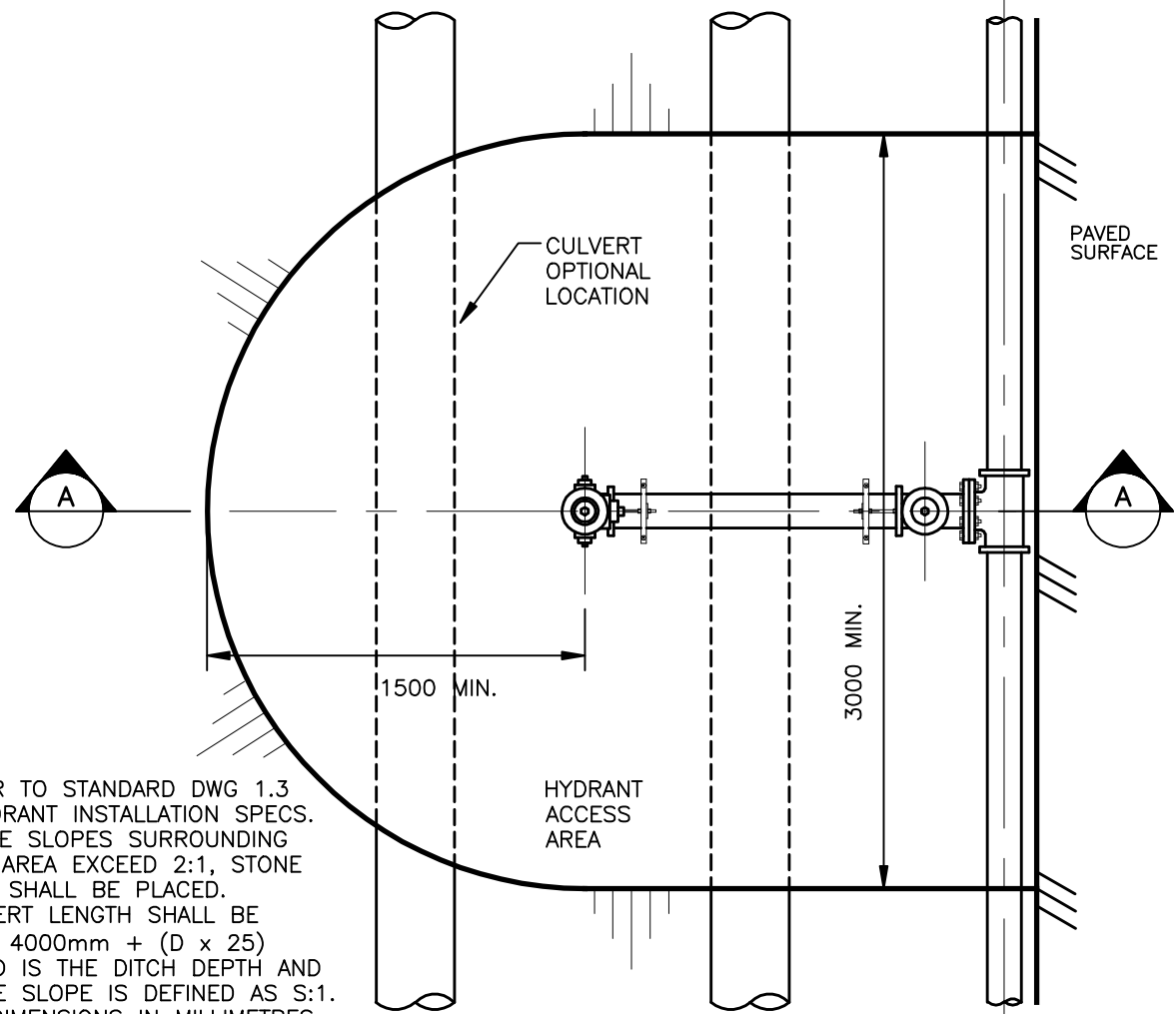
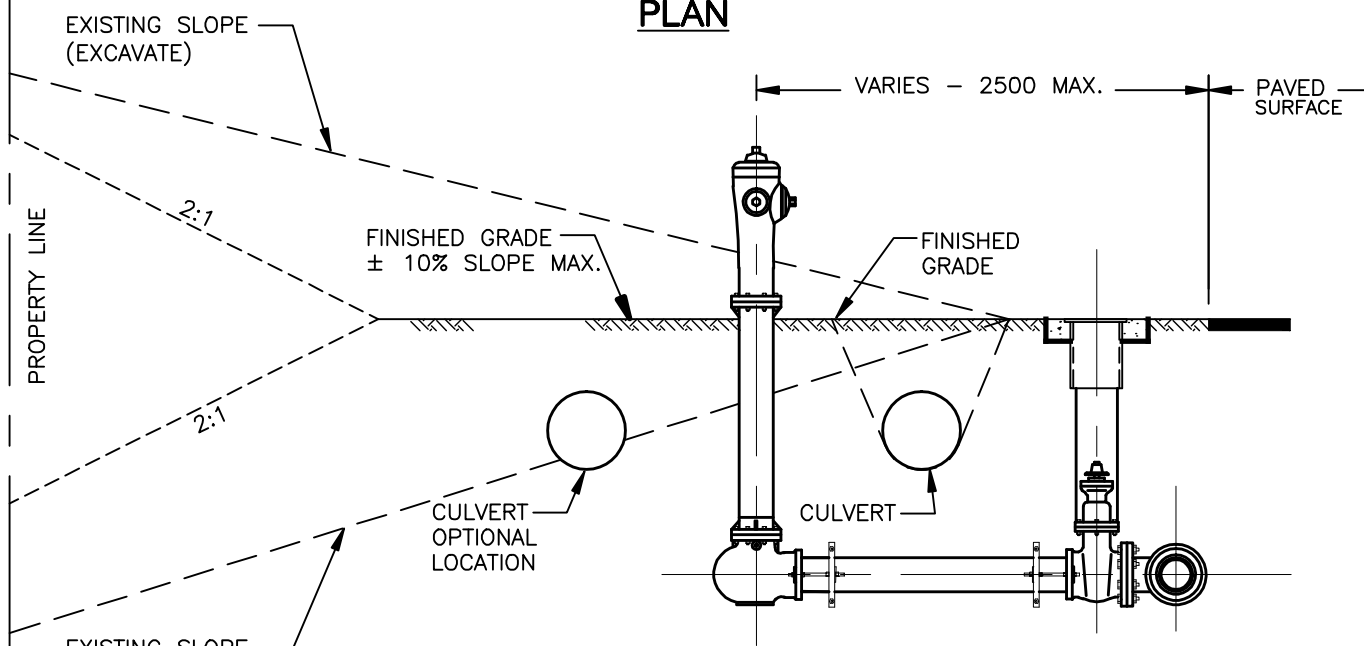


PROPERTY LINE



- NOTES:
1. REFER TO STANDARD DWG 1.3 FOR HYDRANT INSTALLATION SPECS.
 2. WHERE SLOPES SURROUNDING ACCESS AREA EXCEED 2:1, STONE RIP RAP SHALL BE PLACED.
 3. CULVERT LENGTH SHALL BE MINIMUM 4000mm + (D x 25) WHERE D IS THE DITCH DEPTH AND THE SIDE SLOPE IS DEFINED AS S:1.
 4. ALL DIMENSIONS IN MILLIMETRES

PLAN



SECTION A-A



HYDRANT INSTALLATION IN DITCHED AREAS

revision date: JUNE 2009	scale: N.T.S.
drawn: DR/FH	checked: C. GOTTFRED
standard drawing no.:	

1.14