

750mm  $\phi$  MANHOLE FRAME AND COVER.  
WHERE INSTALLED IN TRAFFIC AREAS USE  
MANHOLE RATED FOR TRAFFIC USE.

1050  $\phi$  PRECAST  
CONCRETE MANHOLE LID.

1050  $\phi$  PRECAST CONCRETE  
MANHOLE SECTIONS

RETURN BEND (2-90°  
STREET ELBOWS)

50mm COMBINATION AIR VALVE

50mm HD BRASS NIPPLE

STANDARD  
MANHOLE RUNGS

50mm BALL CORPORATION  
STOP VALVE

100mm  $\phi$  TO 300mm  $\phi$   
WATER MAIN

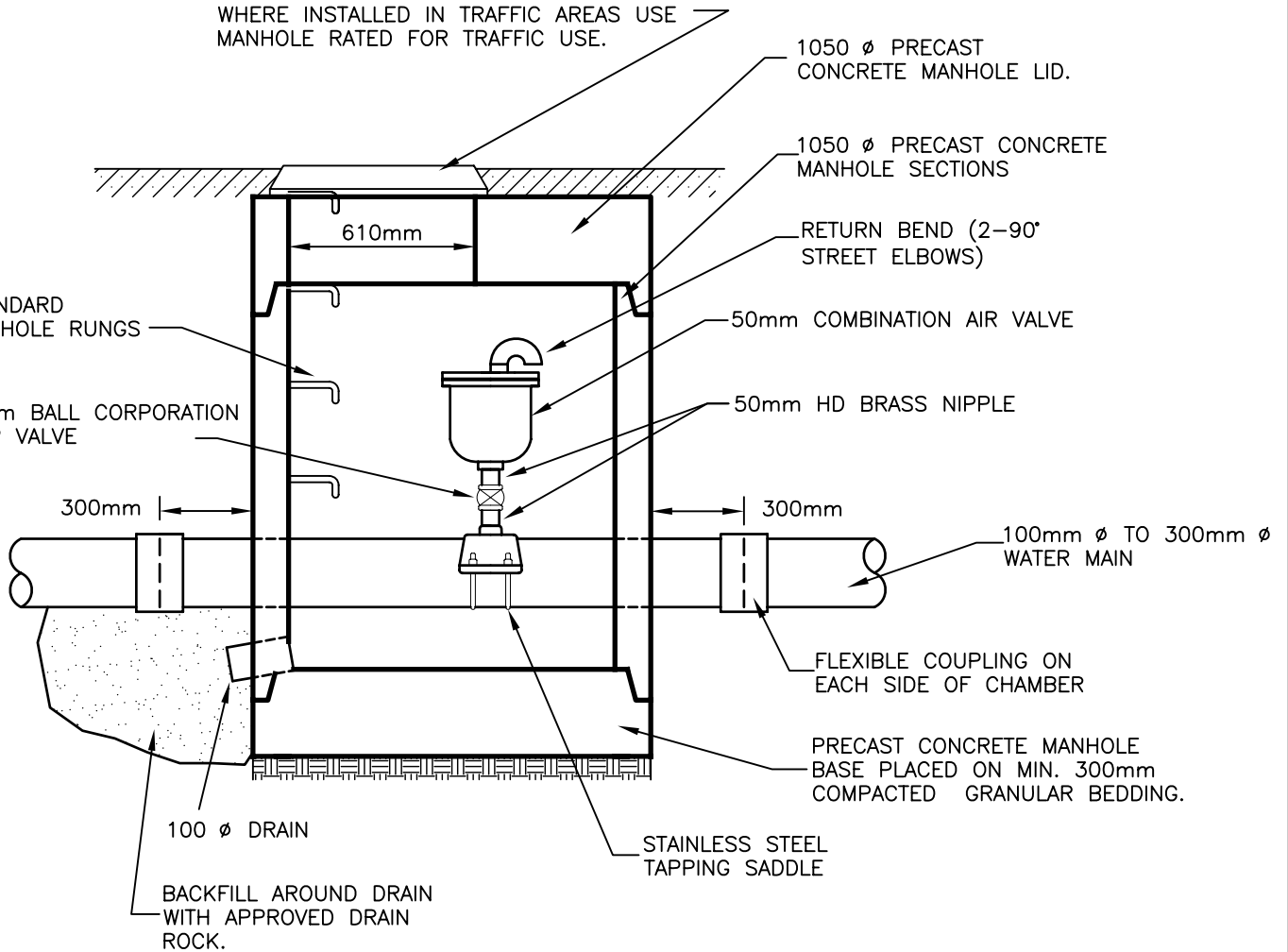
FLEXIBLE COUPLING ON  
EACH SIDE OF CHAMBER

PRECAST CONCRETE MANHOLE  
BASE PLACED ON MIN. 300mm  
COMPACTED GRANULAR BEDDING.

100  $\phi$  DRAIN

STAINLESS STEEL  
TAPPING SADDLE

BACKFILL AROUND DRAIN  
WITH APPROVED DRAIN  
ROCK.



**CRD**

Making a difference...together

**AIR VALVES  
TYPICAL INSTALLATION  
100mm - 300mm PIPE**

revision date: APRIL 2007	scale: N.T.S.
drawn: GP/DR	checked: C. GOTTFRED

standard drawing no.:

**1.2**