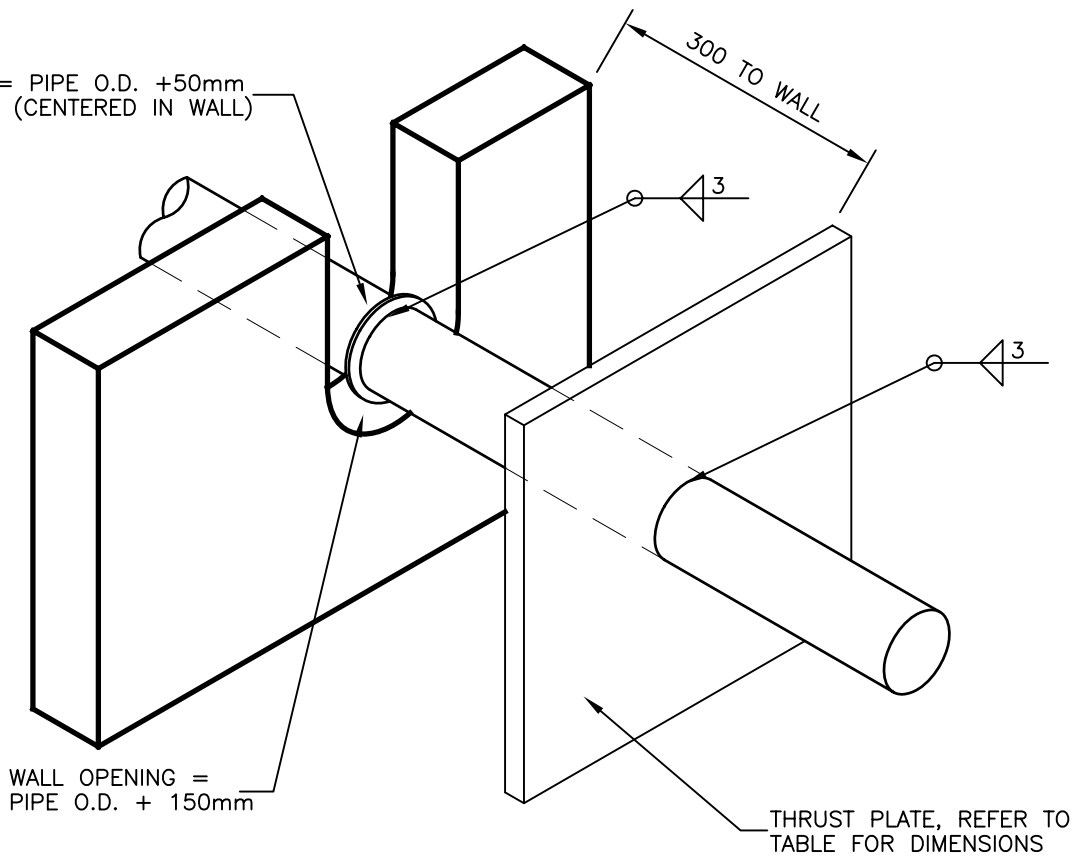


SEAL RING = PIPE O.D. + 50mm
6mm PLATE (CENTERED IN WALL)



WALL OPENING =
PIPE O.D. + 150mm

THRUST PLATE, REFER TO
TABLE FOR DIMENSIONS

PIPE SIZE	PLATE DIMENSIONS
150mm	560 x 560 x 9.5 THICK
200mm	610 x 610 x 9.5 THICK
250mm	660 x 660 x 9.5 THICK
300mm	710 x 710 x 9.5 THICK

THRUST PLATE TO BE ENCASED IN
CONCRETE THRUST BLOCK Poured
AGAINST CHAMBER WALL.