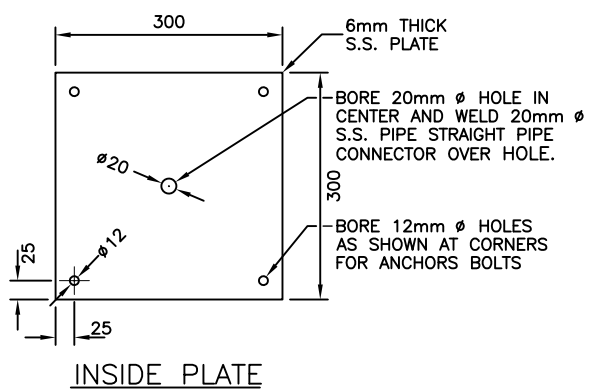


OUTSIDE DETAIL WALL SECTION

INSIDE DETAIL WALL SECTION



INSIDE PLATE

LIST OF MATERIALS

ITEM	DESCRIPTION	QUA.
①	9.5mm Ø x 60mm LONG "HILTI" S.S. ANCHOR ROD, TYPE HAS-R-316, c/w S.S. WASHER AND NUT	10
②	400mm LONG - 12mm Ø NPT THREADED COPPER OR S.S. PIPE.	1
③	20mm Ø S.S. STRAIGHT PIPE CONNECTOR	1
④	12mm Ø COMPRESSION X 20mm Ø NPT MALE PIPE THREAD FITTING.	1
⑤	12mm Ø FxF NPT THREADED BRASS BALL VALVE	1
⑥	12mm Ø BRASS COMPRESSION MALE CONNECTOR	1
⑦	12mm Ø SHORT RADIUS COPPER OR S.S. PIPE NOZZLE (FIELD BENDING AFTER INSTALLATION)	1

revision date: FEB 2023 scale: 1:10
 drawn: GA/GP checked: KK/HE

standard drawing no.:

4.9



Making a difference...together

WATER SAMPLING PORT
 TYPICAL DETAIL FOR
 CONCRETE RESERVOIR