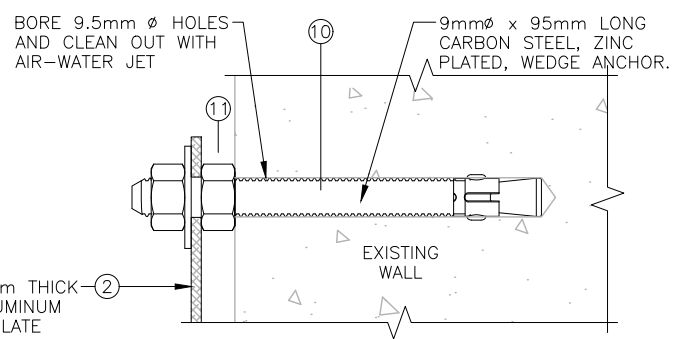
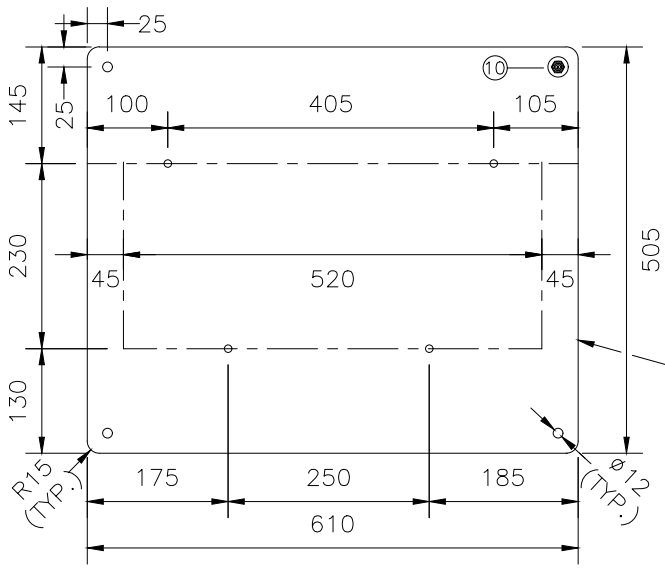


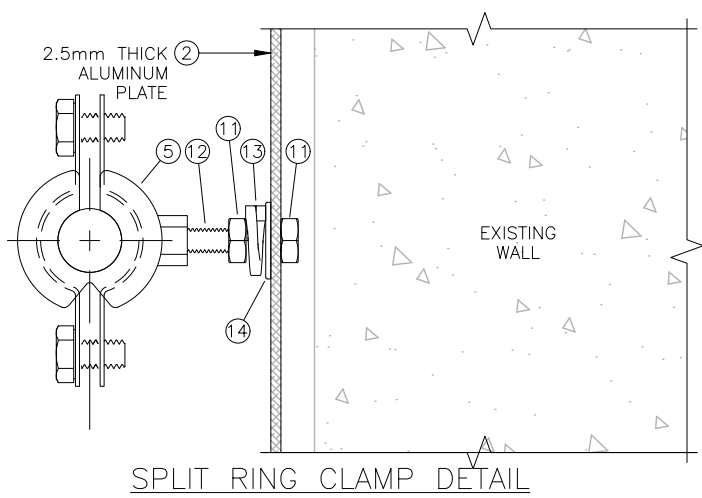
STRAINER ASSEMBLY DETAIL



WEDGE ANCHOR DETAIL

LIST OF MATERIALS

ITEM	DESCRIPTION	QUA.
①	12mmØ SINGER ARION STRAINER, MODEL J1521M	1
②	2.5mm X 505mm X 610mm ALUMINUM SHEET PLATE.	1
③	12mmØ P x P, VIEGA PRO-PRESS TEE, MODEL 2918 PART NO. 77377	2
④	12mmØ PE x PE, LENGTH TO SUIT, COPPER PIPE TO ASTM B88 STANDARD FOR SEAMLESS COPPER WATER TUBE TYPE "L".	7
⑤	12mmØ ZINC PLATED, RUBBER LINED, SWING GATE STYLE SPLIT RING CLAMP	4
⑥	12mmØ P x P, VIEGA PRO-PRESS BALL VALVE, MODEL 2973 PART NO. 24000	3
⑦	12mmØ P x MPT, VIEGA PRO-PRESS ADAPTER, MODEL 2911ZL PART NO. 79210	2
⑧	12mmØ P x FTG, VIEGA PRO-PRESS ELBOW 90°, MODEL 2916.1 SHORT PART NO. 77317	1
⑨	12mmØ P x P, VIEGA PRO-PRESS ELBOW 90°, MODEL 2916 SHORT PART NO. 77317	1
⑩	9mmØ x 95mm LONG CARBON STEEL, ZINC PLATED, WEDGE ANCHOR c/w NUT AND WASHER	4
⑪	M10x1.5mm THREAD, ZINC-PLATED, CLASS 8, WIDE HEX NUT	12
⑫	9mmØ ZINC PLATED STEEL, M10-1.5mm RIGHT HAND THREADED ROD, 500mm LENGTH, LENGTH TO SUIT.	4
⑬	ZINC-PLATED STEEL SPLIT LOCK WASHER FOR M10 SCREW SIZE, STANDARD, 9mm ID, 12mm OD.	4
⑭	ZINC-PLATED STEEL WASHER FOR M10 SCREW SIZE, 10.5mm ID, 18mm OD.	4



SPLIT RING CLAMP DETAIL



12mm MECHANICAL STRAINER ASSEMBLY

revision date: APRIL 2023 scale: 1:10
 drawn: G.A./G.P. checked: K.K.
 standard drawing no.: