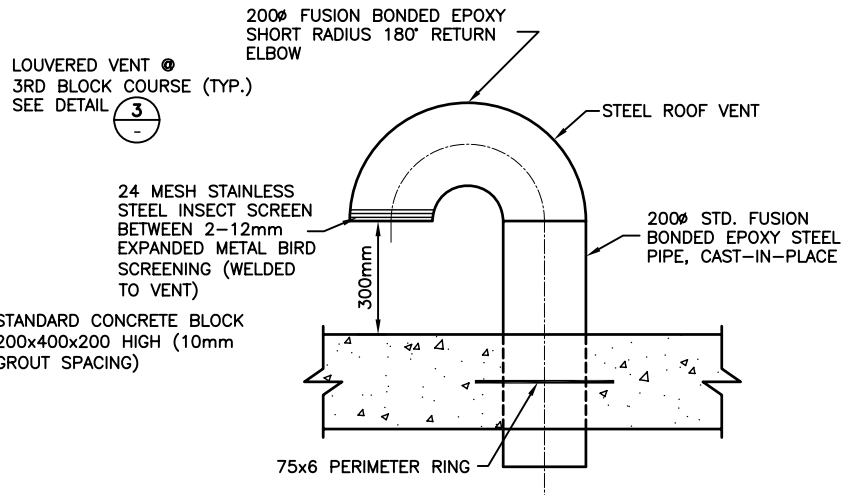
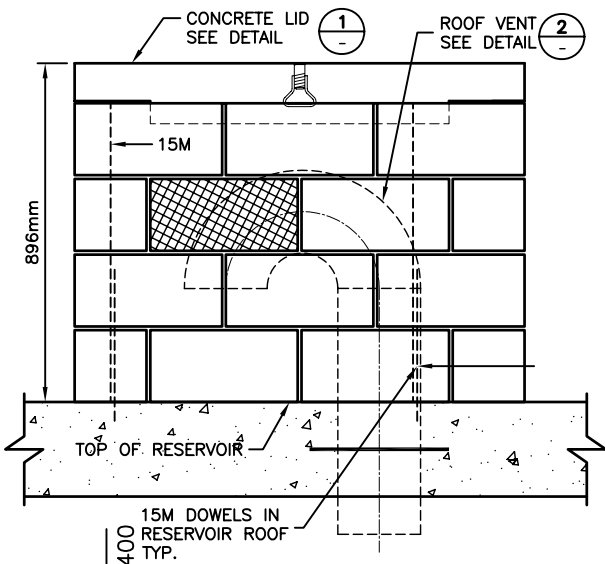


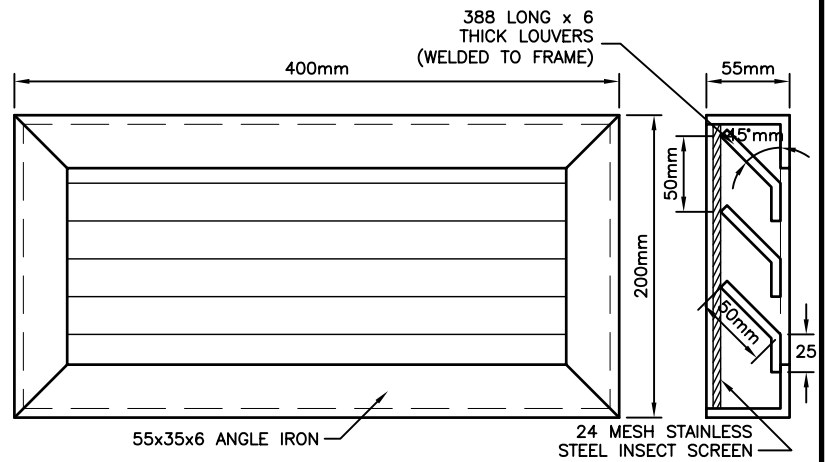
ROOF VENT ENCLOSURE -PLAN



ROOF VENT DETAIL (2)



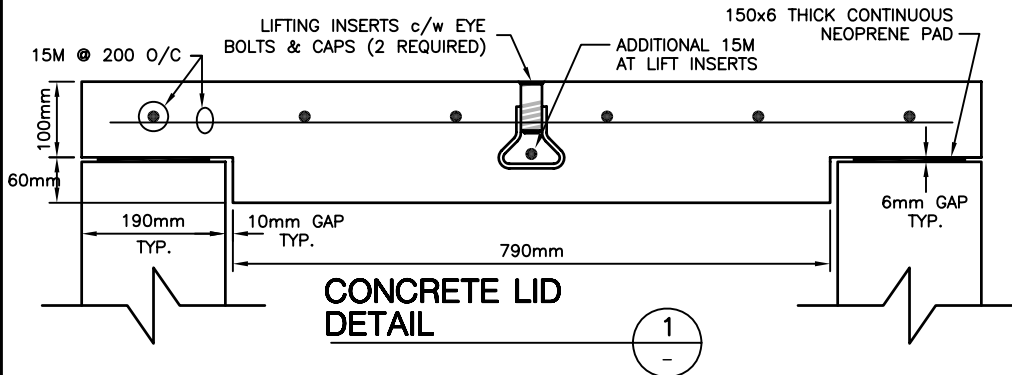
ROOF VENT ENCLOSURE -ELEVATION



PLAN SECTION

LOUVERED VENT DETAIL (2)

(TYP OF 2)



CONCRETE LID DETAIL (1)

NOTES:

1. MIN. COVER TO REINFORCEMENT 38mm



Making a difference...together

ROOF VENT AND ENCLOSURE FOR RESERVOIRS

revision date: APRIL 2007	scale: N.T.S.
drawn: A.S.	checked: C. GOTTFRED

standard drawing no.:

4.12