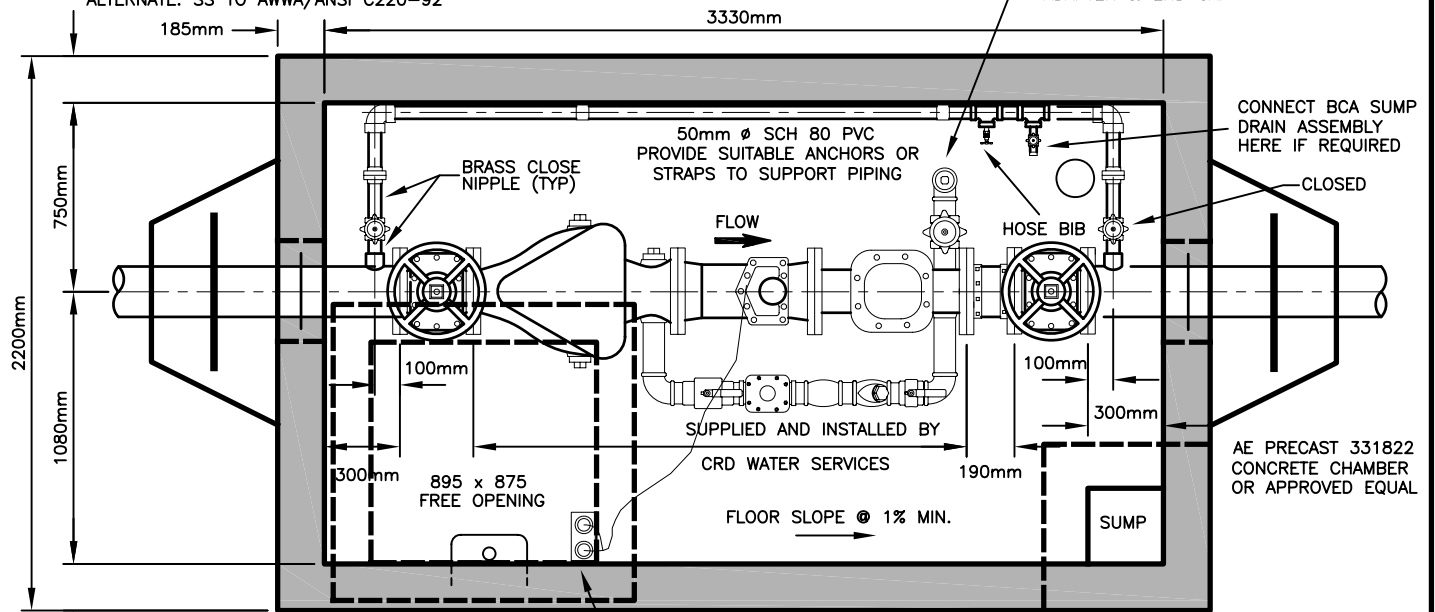


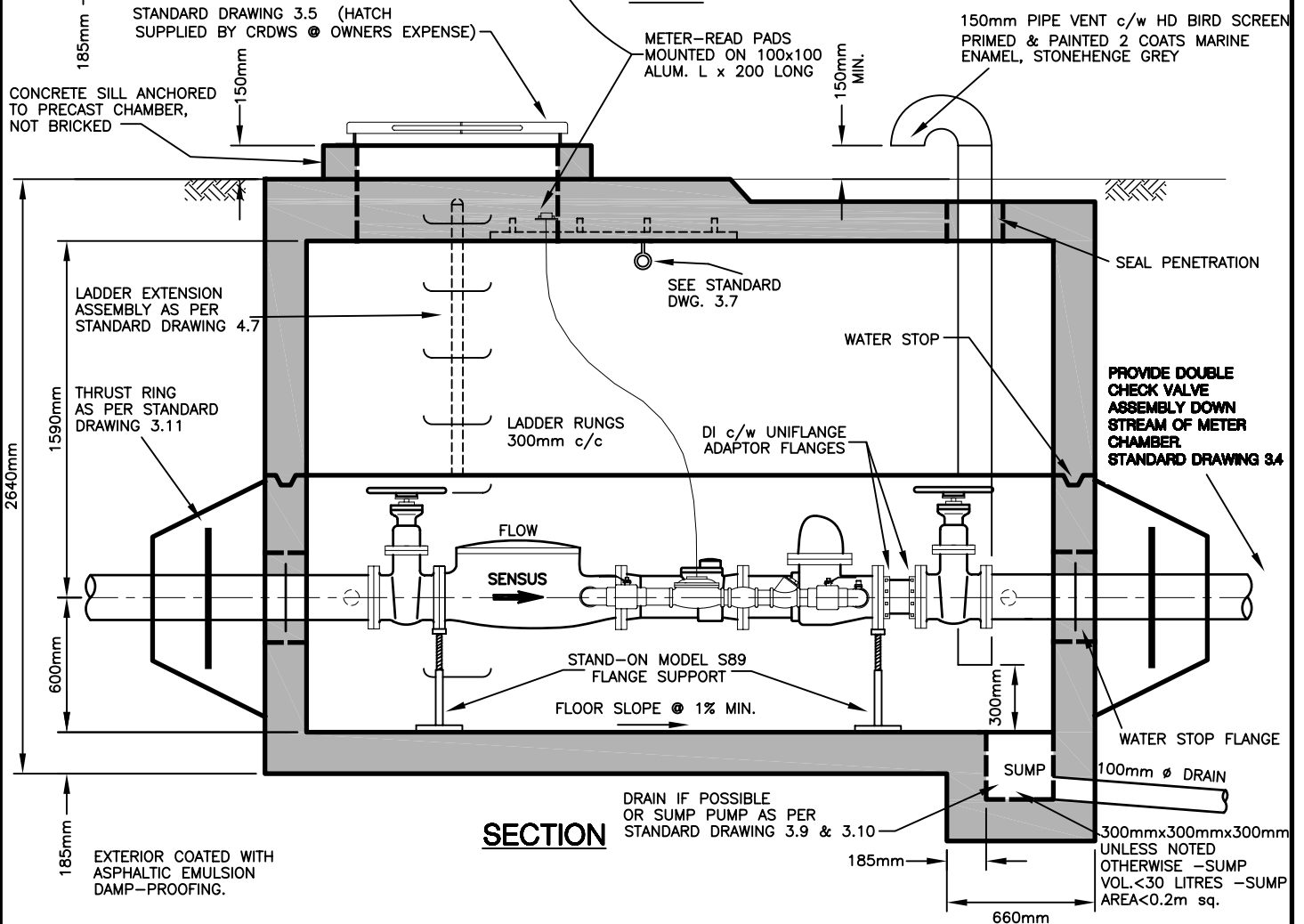
PIPE SHALL BE STEEL SPOOL COATED  
INSIDE AND OUT w/ FUSION BONDED EPOXY  
TO AWWA C213 (INTERIOR COATING TO NSF61).  
ALTERNATE: P.C. 350 DI TO AWWA C151 c/w UNIFLANGE  
ALTERNATE: SS TO AWWA/ANSI C220-92

\*VALVES TO BE RIGHT HAND (C/W) OPENING\*

50mm TEST OUTLET c/w  
GATE VALVE & FIRE HOSE  
ADAPTER & END CAP



**PLAN**



**SECTION**



Making a difference...together

**PRECAST 200mm  
SENSUS FIRELINE  
METER VAULT**

revision date:	scale:
APRIL 2007	N.T.S.
drawn:	checked:
P.J.	C. GOTTFRED
standard drawing no.:	
<b>3.3</b>	